



PM

PM A

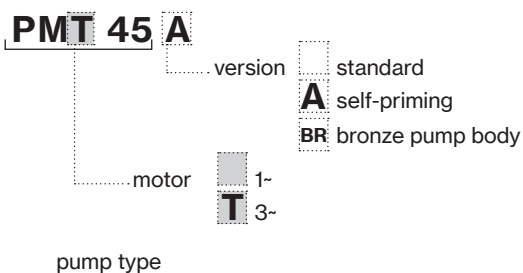
Peripheral positive displacement pump with front suction (PM) and side suction (PM A) for small household systems and simple industrial applications; characterised by a considerable ratio between performance and required output.

Construction features

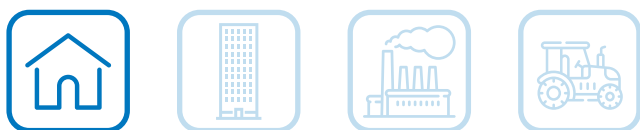
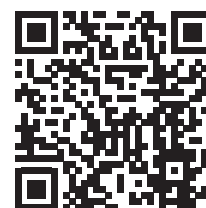
Pump body	cast iron, bronze (45BR)
Motor bracket	cast iron, cast iron or bronze (45BR)
Impeller	brass
Mechanical seal	ceramic-graphite-NBR
Motor shaft	stainless steel AISI 416
Liquid temperature	0 - 90 °C
Operating pressure	max 6 bar (45) max 8 bar (65, 80) max 9 bar (90)

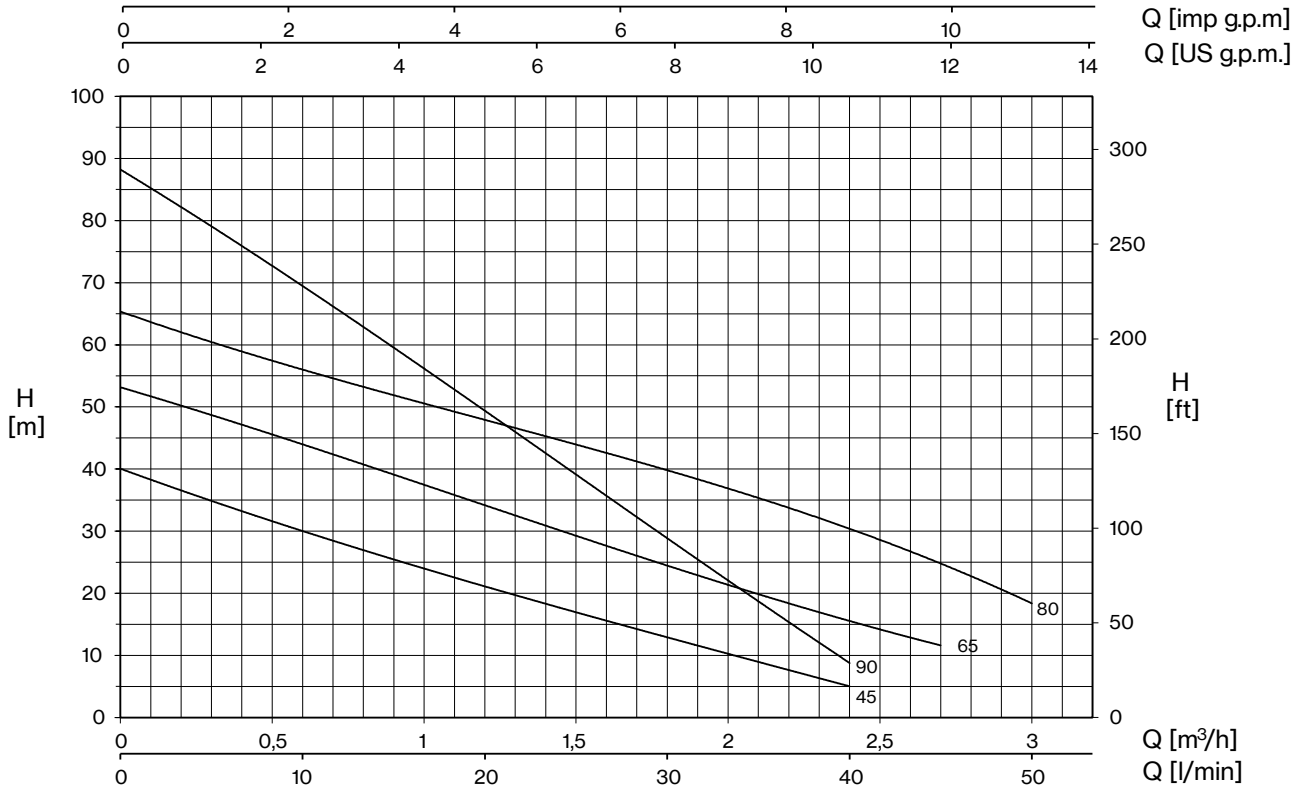
Motor

	3~ 230/400V-50Hz
2 Poles induction motor	1~ 230V-50Hz (with thermal protection)
Insulation class	F
Protection degree	IPX4

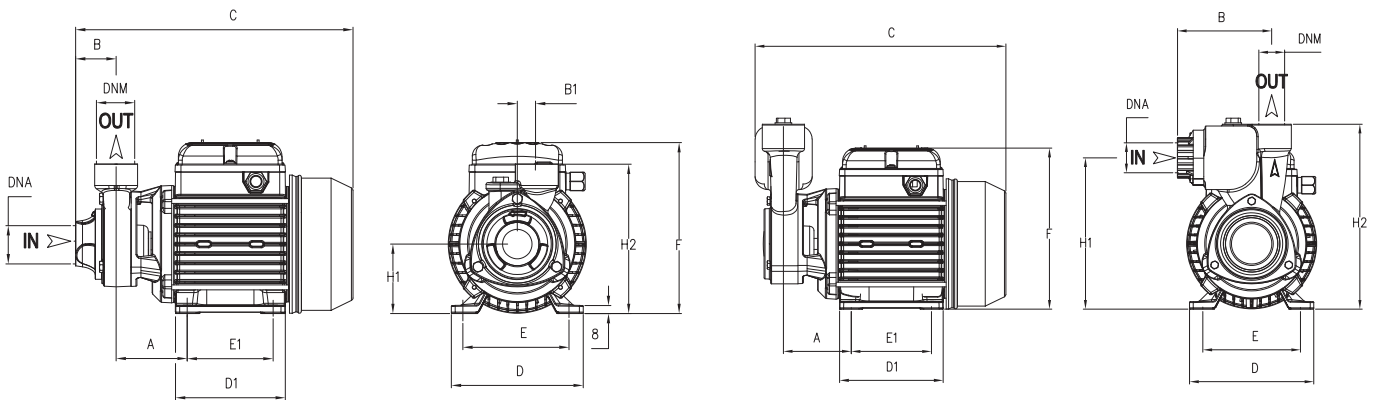


TYPE	LOTS			
	TRUCK		CONTAINER	
	PALLET (cm)	N° pumps	PALLET (cm)	N° pumps
PM 45(BR)	85×110×170	198	85×110×190	220
	80×120×170	207	80×120×190	230
PM 45A	80×110×170	105	85×110×190	135
PM 65A			85×120×170	136
PM 80-90	80×120×160	171	80×120×190	190
PM 65			85×100×160	200
PM 80A	80×120×145	102	80×120×190	136





TYPE		P2		P1 (kW)		AMPERE		Q (m³/h - l/min)							
1~	3~	HP	kW	1~	3~	1~		0	0,3	0,6	1,2	1,8	2,4	2,7	3
						1x230 V 50 Hz	3x400 V 50 Hz	0	5	10	20	30	40	45	50
								H (m)							
PM 45	PMT 45	0,5	0,37	0,5	0,5	2,3	1,0	40,0	35,0	30,0	21,0	13,0	5,0		
PM 45BR	PMT 45BR	0,5	0,37	0,5	0,5	2,3	1,0	40,0	35,0	30,0	21,0	13,0	5,0		
PM 45A	PMT 45A	0,5	0,37	0,5	0,5	2,3	1,0	40,0	35,0	30,0	21,0	13,0	5,0		
PM 65	PMT 65	0,7	0,5	0,9	0,9	4,0	1,7	53,1	48,8	44,1	33,8	24,7	15,5	11,6	
PM 65A	PMT 65A	0,7	0,5	0,9	0,9	4,0	1,7	53,1	48,8	44,1	33,8	24,7	15,5	11,6	
PM 80	PMT 80	1	0,74	1,1	1,1	5,2	2,0	65,0	61,0	56,0	48,0	39,0	31,0	25,1	18,0
PM 80A	PMT 80A	1	0,74	1,1	1,1	5,2	2,0	65,0	61,0	56,0	48,0	39,0	31,0	25,1	18,0
PM 90	PMT 90	1	0,74	1,2	1,1	5,6	2,0	88,2	79,2	69,3	49,5	28,8	8,8		



TYPE	DIMENSIONS (mm)													M			Kg
	A	B	B1	C	D	D1	E	E1	F	H1	H2	DNA	DNM	I	L	M	
PM 45	63	50	20	260	120	101	100	80	158	63	143	1" G	1" G	265	150	175	6,5
PM 45BR	63	50	20	260	120	101	100	80	158	63	143			265	150	175	7
PM 45A	63	89	20	240	120	101	100	80	158	150	184	1" G	1" G	300	170	195	7,5
PM 65	70	56	20	271	120	101	100	80	158	63	152,2			285	150	180	8,5
PM 65A	71,5	101	10	248	120	101	100	80	158	157	193	1" G	1" G	300	170	195	9
PM 80	71,5	50	20	294	135	112	112	89	172	71	160			300	170	195	10,5
PM 80A	71,5	101	10	271	135	112	112	89	172	165	201	1" G	1" G	290	170	230	11
PM 90	74,5	50	19	286	135	112	112	89	172	71	158			310	185	195	11

