

# BOOSTER SILENT

## AUTOMATIC ON/OFF PRESSURISATION SYSTEMS



### TECHNICAL DATA

**Operating range:**

capacity up to 90 l/min; head up to 46 m.

**Liquid temperature range:**

for domestic use: from +35°C to +35°C

for other use: from 0°C to +40°C

**Liquid quality requirements:**

Clean, free from solid or abrasive contaminants, non-viscous, non-aggressive, uncrystallised and chemically neutral.

**Maximum suction depth:** 8 metres

**Maximum ambient temperature:** +40°C

**Protection rating:** IPX4

**Insulation class:** F

**Installation:** fixed or portable in a horizontal position.

**Special executions on request:** alternative voltages and/or frequencies.

### APPLICATIONS

Automatic, self-priming up to 8 metres, pressurisation system with multi-impellers (3-4-5) and integrated electronics, for domestic water supply in gardens and small irrigation systems.

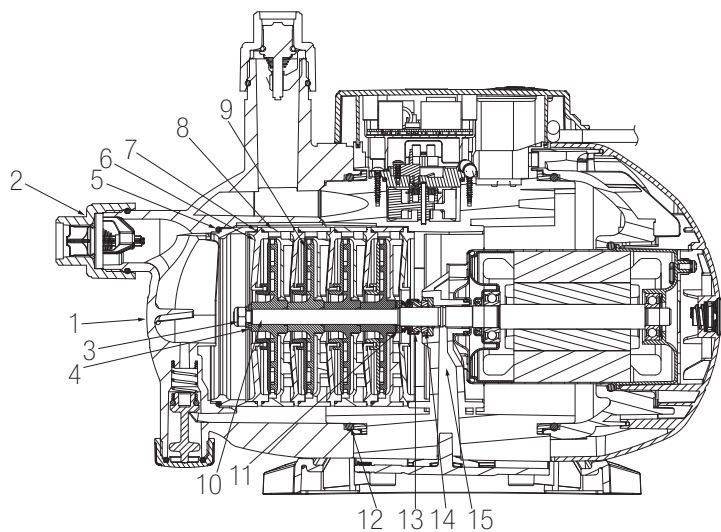
### FEATURES

Hull in sound absorbant composite material, with technopolymer hydraulics. Carbon/ceramic mechanical seal. Single phase, asynchronous, continuous service motor cooled by the liquid being pumped. Incorporated thermo-amperometric protection and permanently inserted capacitor.

The system is equipped with an integrated electronics board, pressure and flow switches for automatic start and stop as soon as the taps are opened or closed. The electronics prevent the pump from dry-running. The system has LED signals and alarms. It has an automatic restart once the error conditions have been reset. The system is equipped with non-return valves in aspiration, 2 metre power cord and plug and a 2 litre tank.

### MATERIALS

N°	PARTS	MATERIALS
1	PUMP BODY	TECHNOPOLYMER
2	NON-RETURN VALVE	TECHNOPOLYMER
3	NUT	UNI7474 A2 STAINLESS STEEL NUT
4	WASHER	A2 STAINLESS STEEL
5	OR GASKET	NBR
6	DIFFUSER PLUG	TECHNOPOLYMER
7	OR GASKET	NBR
8	DIFFUSER	TECHNOPOLYMER
9	IMPELLER	TECHNOPOLYMER
10	ROTOR SHAFT	AISI 416 STAINLESS STEEL UNI EN 10088-1 X12CrS13
11	WASHER	A2 STAINLESS STEEL
12	OR GASKET	NBR
13	MECHANICAL SEAL	SILICON - VITON
14	COUNTERFACE	STEA/NBR
15	BODY	TECHNOPOLYMER



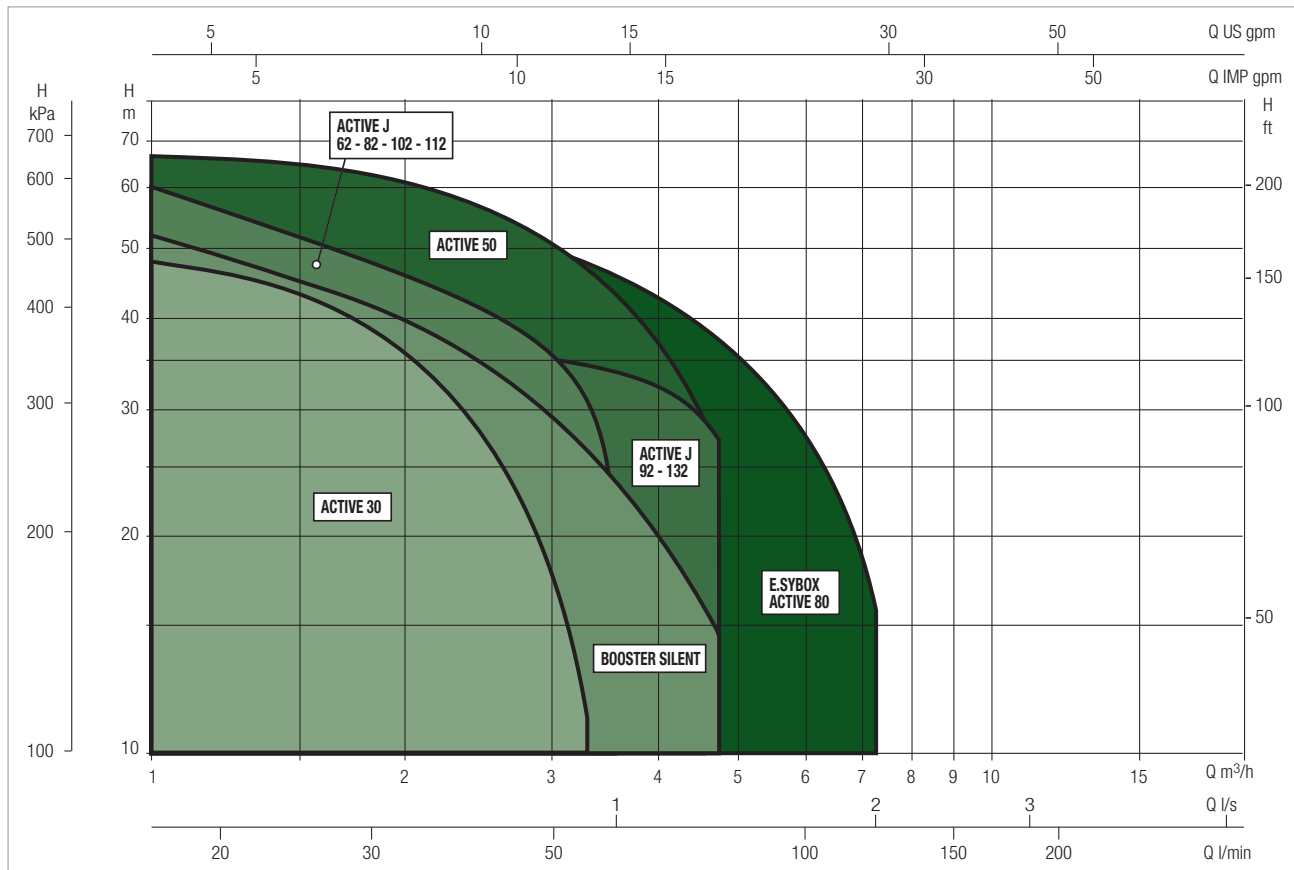
# BOOSTER SILENT

## AUTOMATIC ON/OFF PRESSURISATION SYSTEMS

### PERFORMANCE RANGE

The performance curves are based on kinematic viscosity values = 1 mm<sup>2</sup>/s and density equivalent to 1000 kg/m<sup>3</sup>. Curve tolerance according to ISO 9906.

### GRAPHIC SELECTION TABLE

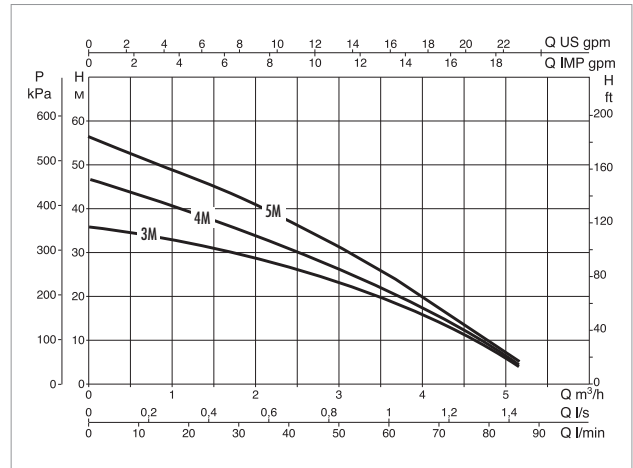
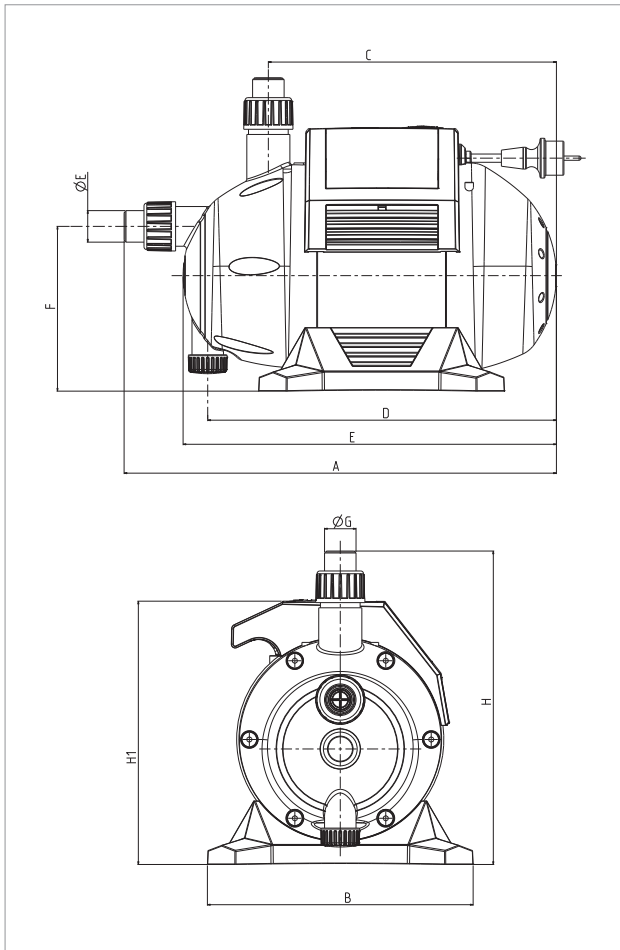


### BOOSTER SILENT SELECTION TABLE

MODEL	Q=m <sup>3</sup> /h	0	0.6	1.2	1.8	2.4	3.0	3.6	4.2	4.8
	Q=l/min	0	10	20	30	40	50	60	70	80
BOOSTER SILENT 3 M	H (m)	37	34	32	31	27	23	19	15	8
BOOSTERSILENT 3 M 1.5 BAR		37	34	32	31	27	23	19	15	8
BOOSTER SILENT 4 M		47	43	40	35	31	27	22	17	9
BOOSTER SILENT 5 M		57	52	48	43	38	31	25	18	10

# BOOSTER SILENT - AUTOMATIC ON/OFF PRESSURISATION SYSTEMS FOR DOMESTIC WATER SUPPLY

liquid temperature range pumped: from 0 °C to +35 °C - maximum ambient temperature: +40 °C



The performance curves are based on the kinematic viscosity values = 1 mm<sup>2</sup>/s and density equivalent to 1000 kg/m<sup>3</sup>. Curve tolerance according to ISO 9906.

MODEL	ELECTRICAL DATA					
	N° IMPELLER	POWER SUPPLY 50 Hz	P1 MAX KW	P2 NOMINAL		In A
				kW	HP	
<b>BOOSTER SILENT 3 M</b>	3	1 x 230 V ~	0.8	0.55	0.75	3.7
<b>BOOSTERSILENT 3 M 1.5 BAR</b>	3	1 x 230 V ~	0.8	0.55	0.5	3.7
<b>BOOSTER SILENT 4 M</b>	4	1 x 230 V ~	1	0.75	1	4.7
<b>BOOSTER SILENT 5 M</b>	5	1 x 230 V ~	1.25	1	1.36	5.7

MODEL	A	B	C	D	E	F	ØG	H	H1	DNA GAS	DNM GAS	PACK DIMENSIONS			GROSS Kg	Q.TY x PALLET
												L/A	L/B	H		
<b>BOOSTER SILENT 3 M</b>	455	280	305	370	395	175	33	330	280	1"	1"	480	300	470	11.5	18
<b>BOOSTERSILENT 3 M 1.5 BAR</b>	455	280	305	370	395	175	33	330	280	1"	1"	480	300	470	11.5	18
<b>BOOSTER SILENT 4 M</b>	455	280	305	370	395	175	33	330	280	1"	1"	480	300	470	11.5	18
<b>BOOSTER SILENT 5 M</b>	455	280	305	370	395	175	33	330	280	1"	1"	480	300	470	11.5	18